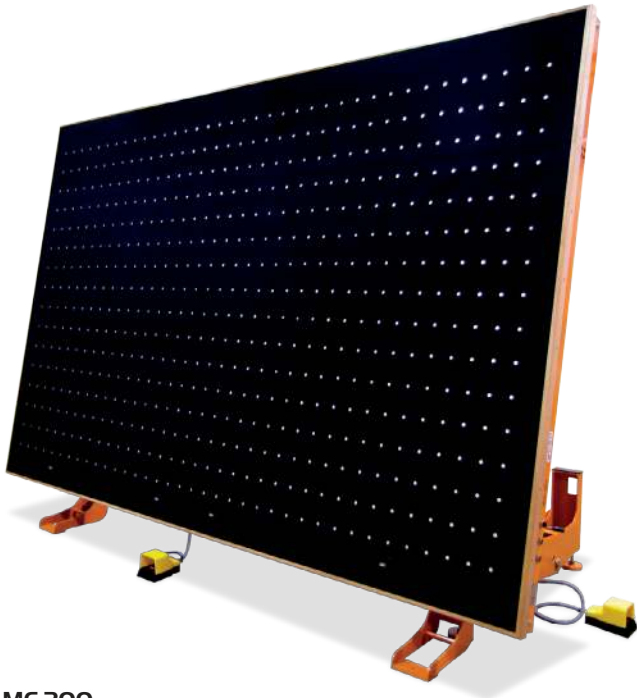


MC-300 / MC-600



MC-300

MC-600



—

—



1200 kg [2646 lb]

2700 kg [5952 lb]



kW

5 kW

9 kW



OK

OK



OK, HYDRAULIC

OK, HYDRAULIC



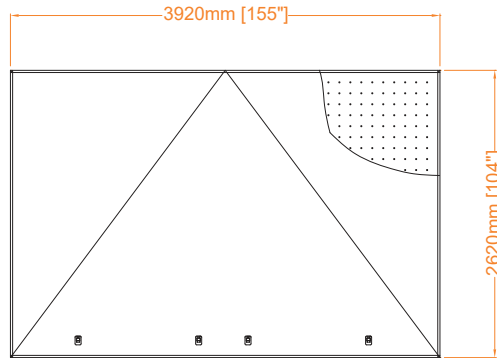
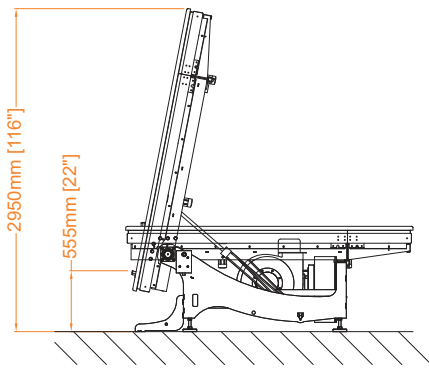
AIR

7 bar [100 psi] - 10 l/min

7 bar [100 psi] - 10 l/min

MC-300

DISTRIBUTION 60 MC-300



DISTRIBUTION 61 MC-600

